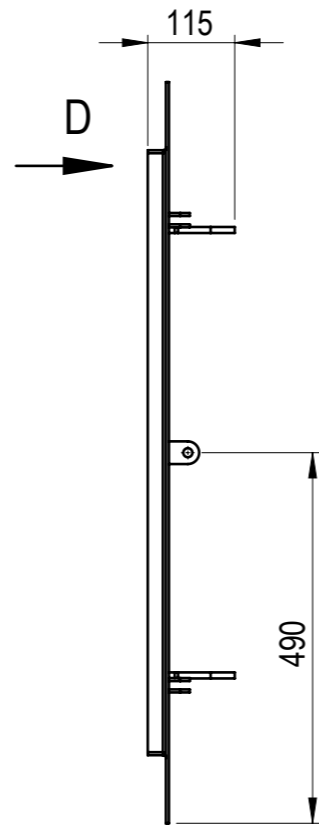
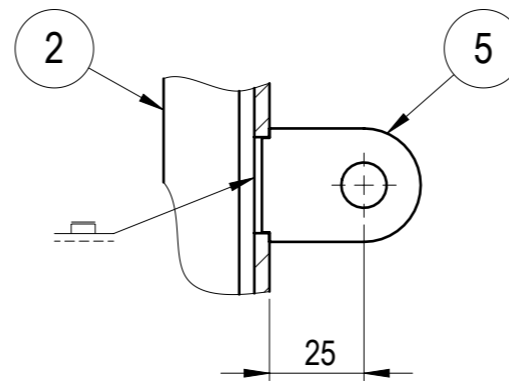
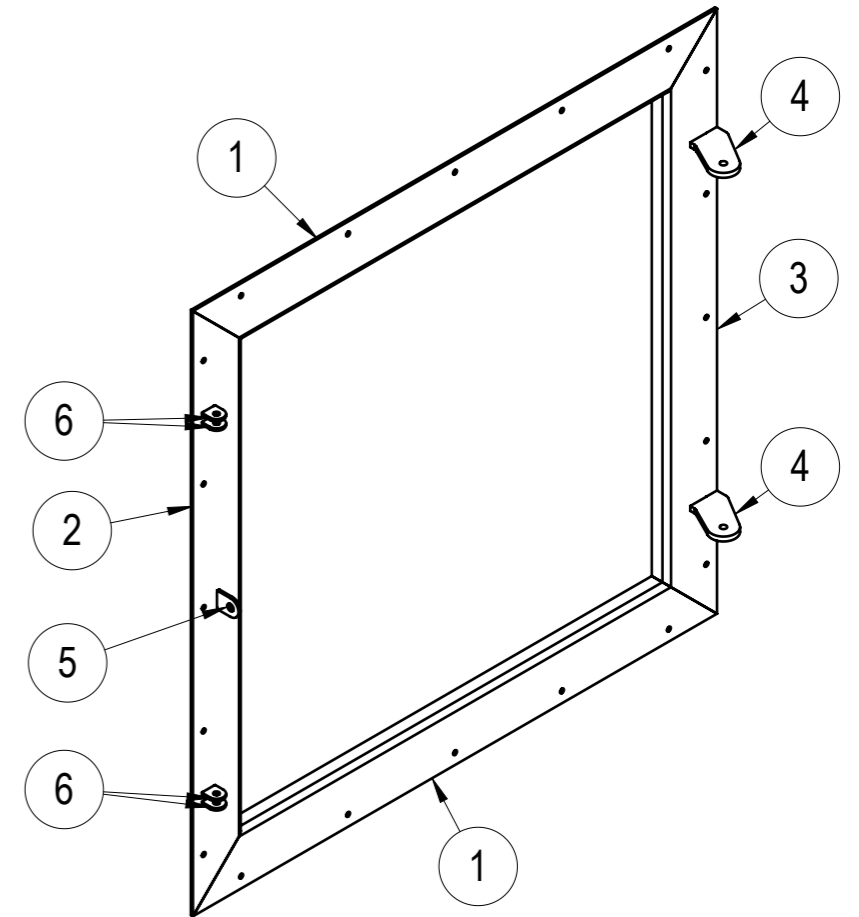
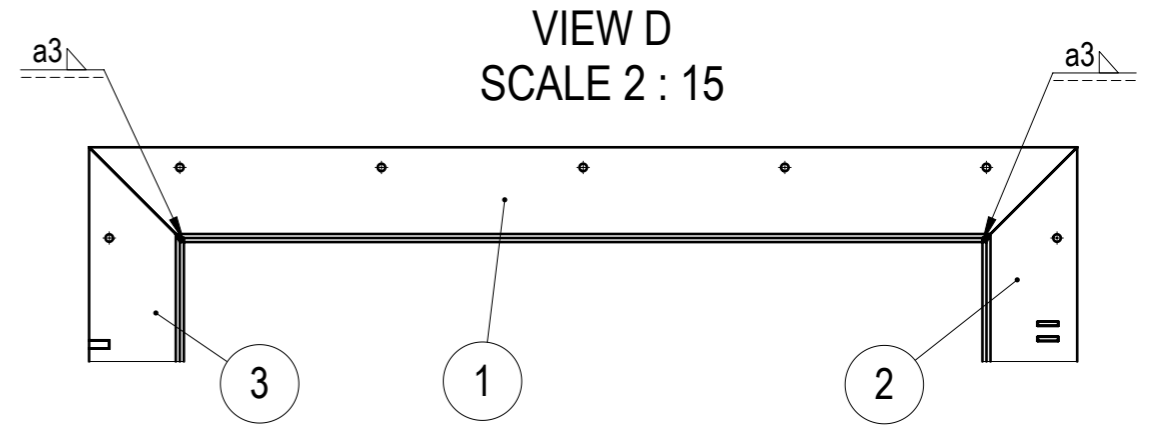


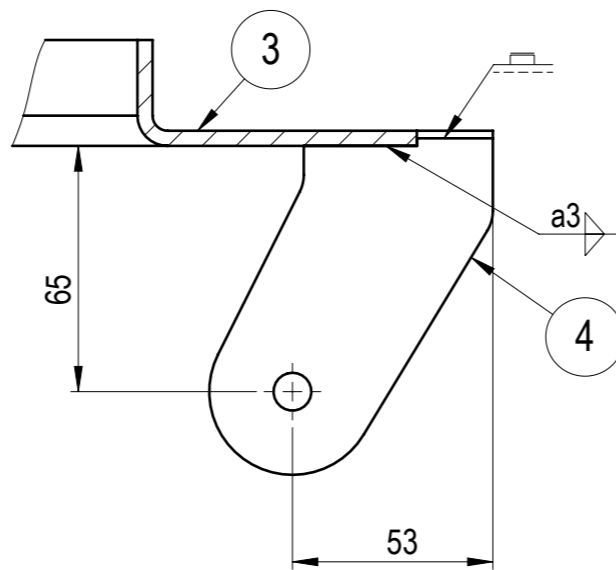
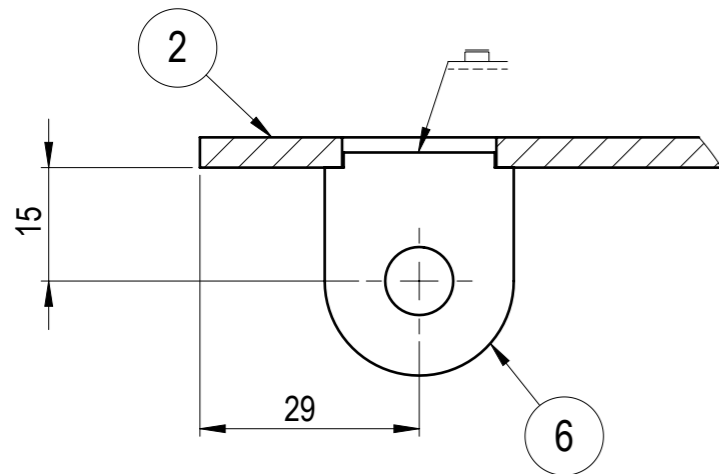
SECTION A-A
SCALE 1 : 1



SECTION C-C
SCALE 1 : 2



SECTION B-B
SCALE 1 : 2



NO.	PART NO	DESCRIPTION	MATERIAL	PROCESSING	REVISION	WEIGHT	QTY
1	105-30222-01	Sheet 1	S355JR	LCB		3.14	2
2	105-30222-02	Sheet 2	S355JR	LCB		3.13	1
3	105-30222-03	Sheet 3	S355JR	LCB		3.13	1
4	105-30222-04	Hinge Bracket	S355JR	LC		0.26	2
5	105-30222-05	Locking Plate	S355JR	LC		0.03	1
6	105-30222-06	Swing bolt plate	S355JR	LC		0.02	4

		MATERIAL	WEIGHT	DEBURR AND BREAK SHARP EDGES DO NOT SCALE DRAWING		REVISION	DATE	
		-	13.163 Kg				07.02.2025	
		SURFACE PROTECTION	MACHINING	THERMAL CUTTING	WELDING	SCALE	FORMAT	
		Painting C3.09 ISO12944	ISO 2768 mK	ISO 9013 221	ISO 13920 BF	1:10	A3	
NAME	SIGNATURE	PART NO. 105-30222-00						
Designed by	D. Dislers	DESCRIPTION						
Drawn by	D. Dislers	Frame						
Technical ref.							SHEET 1/1	